

Commercial PRV

COMMERCIAL PRV

Proven PRESSURE REGULATING VALVE



. . . built TOUGH

Standard with flanged connections from 50mm to 100mm diameter.

The *Commercial* PRV provides:

- * Balanced Piston Design (provides for closer regulation and quiet performance)
- * Simple, Dependable Construction (Fewer parts for greater reliability)
- * Flanged Connections (Flexibility in installation)

Features

- * Balanced piston design
- * Suitable for high flow commercial and industrial applications
- * Maximum inlet pressure 1,600 kPa
- * Variable outlet pressure range setting from 350 to 875 kPa
- * Stainless steel seat
- * Every Valve Fully Factory Tested (Specify and install with confidence)

The *Commercial* PRV is a high flow pressure regulating valve, designed for commercial and industrial installations.

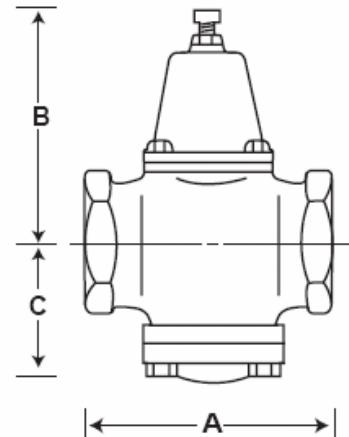
Supplied with 2 springs allowing a range of pressure settings; 350 to 750 kPa and 550 to 875 kPa. PRV's are factory set at 500 kPa.

Commercial PRV

COMMERCIAL PRV

MATERIAL

Body	Brass
Spring Chamber	Brass
Piston	Brass
Seat Ring	Stainless Steel
Seat Disc	Buna-N
Adjusting Spring	Steel
Wiper Felt	Felt
O- Ring	Buna-N
Bottom Cap	Bronze



DIMENSIONS

DN	A	B	C
50mm Flanged C	198mm	180mm	90mm
65mm Flanged C	201mm	180mm	90mm
80mm Flanged C	210mm	180mm	95mm
100mm Flanged C	222mm	180mm	95mm

PERFORMANCE SPECIFICATIONS

DN	Differential Pressure (kPa)			
	70	175	350	550
50mm Flanged C	340 LPM	456 LPM	610 LPM	720 LPM
65mm Flanged C	435 LPM	570 LPM	912 LPM	1100 LPM
80mm Flanged C	532 LPM	684 LPM	1065 LPM	1330 LPM
100mm Flanged C	532 LPM	684 LPM	1065 LPM	1330 LPM

TYPICAL INSTALLATION

The Commercial PRV should be installed in the horizontal, with the spring chamber upright. For other installation requirements consult the product installation instructions, or consult the manufacturer. For ease of operation and maintenance, it is suggested that manual isolation valves be installed upstream and downstream of the valve.