

# Ultrafit Coupling & Flange Adaptor

ULTRAFIT COUPLING & FLANGE ADAPTOR

The ULTRAFIT couplings and adaptors are part of the Pipemate 'Ultra' range of pipe joints.

The ULTRAFIT has been developed to joint plain-ended pipes of various outside diameters with the same or different nominal bore in Steel, Ductile Iron, Cast Iron, Asbestos Cement, GRP, UPVC and PE. With use on PE pipes inserts are required.



## MATERIAL SPECIFICATIONS

|                   |   |
|-------------------|---|
| Sleeve & Flanges: | SG Ductile Iron to BS EN 1563 Gr. 450/10  |
| Bolts:            | Steel Grade 8.8 square cup head bolts. Other qualities available upon request.  |
| Nuts & Washers:   | Steel Grade 4   |
| Gaskets:          | EPDM to BS EN 681-1 for water and sewage application. Other suitable gaskets qualities for aggressive media are available upon request. |

## CORROSION PROTECTION

The ULTRAFIT range products will be coated standard with Fusion Bonded Epoxy (FBE). Other coatings will be available upon request.

## INSTALLATION

Quick, easy, efficient and cost saving pipe connection without disassembling.

## WORKING PRESSURE

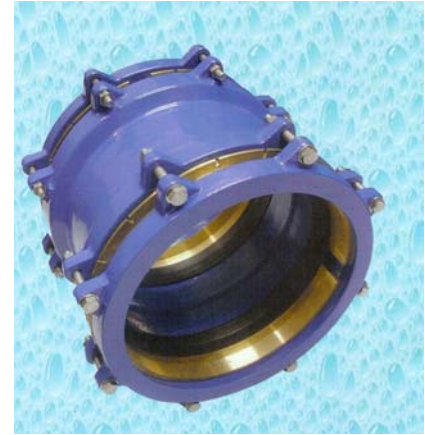
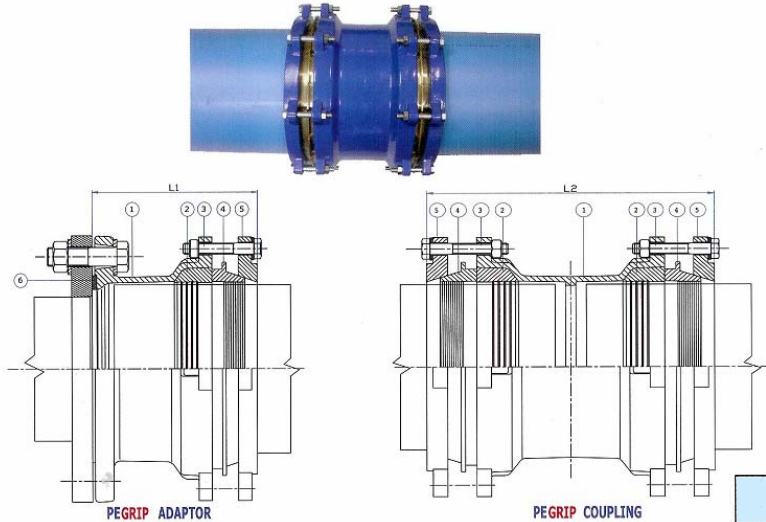
|        |                               |
|--------|-------------------------------|
| Gas:   | 4 bar (Test Pressure 6 bar)   |
| Water: | 16 bar (Test Pressure 24 bar) |

## TEMPERATURE RANGE

With the use of standard gaskets:  
-2 deg C to + 70 deg C

# Ultrafit Coupling & Flange Adaptor

ULTRAFIT COUPLING & FLANGE ADAPTOR



- \* Easy to install, dismantle and maintain in all weather conditions
- \* Provide total restraint
- \* No special tool or equipment required
- \* Corrosion protection with Fusion Bonded Epoxy (FBE) Coating

| PEGRIP ADAPTOR |     |          | PEGRIP COUPLING |          |
|----------------|-----|----------|-----------------|----------|
| DN             | L1  | BOLTS    | L2              | BOLTS    |
|                |     | DIA x NO |                 | DIA x NO |
| 63             | 109 | M12 x 3  | 209             | M12 x 6  |
| 90             | 116 | M12 x 3  | 227             | M12 x 6  |
| 110            | 120 | M12 x 3  | 234             | M12 x 6  |
| 125            | 139 | M12 x 4  | 239             | M12 x 8  |
| 160            | 158 | M12 x 4  | 265             | M12 x 8  |
| 180            | 176 | M12 x 4  | 276             | M12 x 8  |
| 225            | 184 | M12 x 5  | 303             | M12 x 10 |
| 250            | 195 | M12 x 5  | 315             | M12 x 10 |
| 280            | 205 | M12 x 5  | 325             | M12 x 10 |
| 315            | 215 | M12 x 8  | 335             | M12 x 16 |

| No | Component     | Material  |
|----|---------------|---|
| 1  | Body          | Ductile Iron, BS EN 1563 Grade 450/10                       |
| 2  | Gasket        | EPDM, BS EN 681-1 Type WA                                   |
| 3  | Bolts/ Nuts   | Stainless Steel, ANSI 304 Grade A2-70                       |
| 4  | Grip Ring     | MS 58 (Dezincification Resistant Brass) Rg7 for DN315 only. |
| 5  | End Ring      | Ductile Iron, BS EN 1563 Grade 450/10                       |
| 6  | Flange Gasket | EPDM, BS EN 681-1 Type WA                                   |

| SERVICE CONDITIONS        |                    |
|---------------------------|--------------------|
| Service Temperature Range | -20° C to 70° C    |
| Maximum Working Pressure  | 10 bars or 16 bars |