

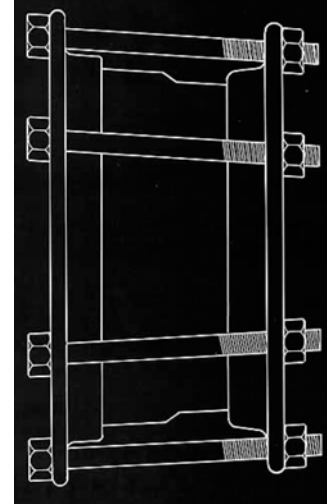
Stepped Coupling

STEPPED COUPLING

When joining pipes of different diameters, AllFlow's Stepped Couplings offer many advantages.

These Stepped Couplings are fabricated from rolled steel in most common sizes and each with different wall thickness, depending on the internal pressure.

AllFlow's Stepped Couplings can be supplied to connect pipe of different nominal bores or outside diameters- details on request.



To Connect Ductile Iron Pipe to Steel Pipe

Pipe Dimensions

Pipe O.D

Nom. Bore

D.I.

Steel

L

A₁

A₂

B

Stepped Coupling Dimensions

Bolts

Sleeve

Cx Av thk

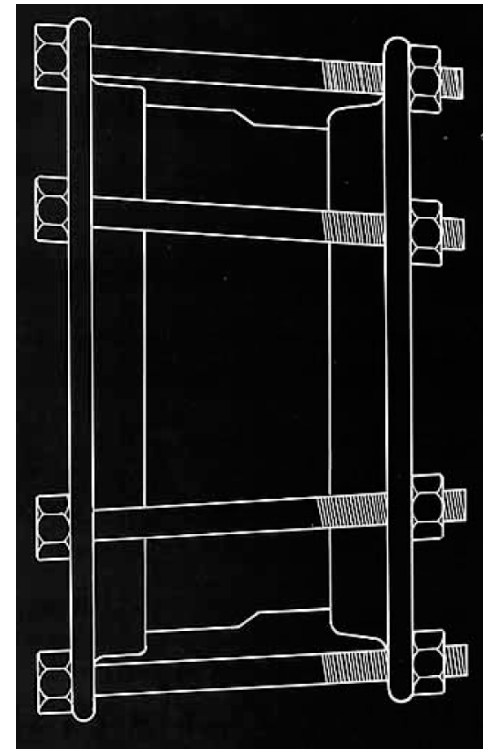
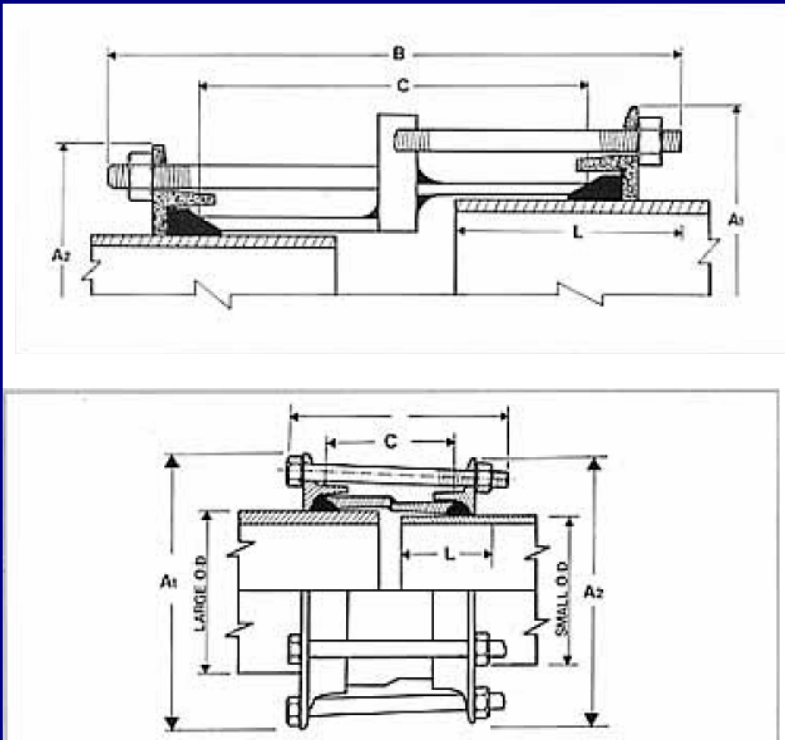
No.

Dia x lgth

80	98	88.9	100	198	190	175	100 x 6	4	1/2" x 6 1/2"
100	118	114.3	100	220	218	175	100 x 6	4	1/2" x 6 1/2"
150	170	168.3	100	272	270	175	100 x 7	4	1/2" x 6 1/2"
200	222	219.3	100	326	324	175	100 x 8	5	1/2" x 6 1/2"
250	274	273	100	379	377	175	100 x 8	6	1/2" x 6 1/2"
300	326	323.9	100	430	426	175	100 x 8	6	1/2" x 6 1/2"
350	378	355.6	150	482	460	228	150 x 8	8	5/8" x 8 1/2"
400	429	406.4	150	532	510	228	150 x 8	8	5/8" x 8 1/2"
450	480	457	150	584	562	228	150 x 8	8	5/8" x 8 1/2"
500	532	508	150	636	612	228	150 x 8	10	5/8" x 8 1/2"
600	635	610	150	738	716	228	150 x 8	12	5/8" x 8 1/2"
700	738	711	150	842	817	228	150 x 8	12	5/8" x 8 1/2"
800	842	813	150	946	920	228	150 x 8	14	5/8" x 8 1/2"
900	945	914	150	1050	1020	266	180 x 9	14	5/8" x 10"
1000	1048	1016	150	1156	1126	266	180 x 9	14	5/8" x 10"
1100	1152	1118	150	1276	1242	280	180 x 12	16	5/8" x 10 1/2"
1200	1255	1219	200	1380	1346	360	254 x 12	18	5/8" x 13 1/4"
1400	1462	1420	200	1586	1546	360	254 x 12	20	5/8" x 13 1/4"
1600	1668	1620	200	1792	1749	360	254 x 12	24	5/8" x 13 1/4"

Stepped Coupling

STEPPED COUPLING



To Connect Ductile Iron Pipe to Asbestos Cement/ Cast Iron Pipe

Pipe Dimensions

Pipe O.D

Nom. Bore

80
100
150
200
250
300
300
350
350
400
400
450
450
500
500
600
600

D.I.
98
118
170
222
274
326
326
378
378
429
429
480
480
532
532
635
635

AC/CI
96
122
177.8
232
286
334
345
387
399
439
453
492
507
545
560
650
667

L
100
100
100
100
100
100
150
150
150
150
150
150
150
150
150
150

A₁
198
224
280
336
390
437
448
490
502
542
558
596
612
650
664
756
772

A₂
196
220
272
326
379
430
430
482
482
532
532
584
584
636
636
738
738

B
175
175
175
175
175
175
175
228
228
228
228
228
228
228
228
228
228

Sleeve Cx Av thk
100 x 6
100 x 6
100 x 7
100 x 8
100 x 8
100 x 8
100 x 8
150 x 8
150 x 8
150 x 8
150 x 8
150 x 8
150 x 8
150 x 8
150 x 8
150 x 8
150 x 8

Stepped Coupling Dimensions

Bolts

No.
4
4
4
5
6
6
6
8
8
8
8
8
8
10
10
12
12

Dia x lgth
1/2" x 6 1/2"
1/2" x 6 1/2"
1/2" x 6 1/2"
1/2" x 6 1/2"
1/2" x 6 1/2"
1/2" x 6 1/2"
1/2" x 6 1/2"
5/8" x 8 1/2"
5/8" x 8 1/2"
5/8" x 8 1/2"
5/8" x 8 1/2"
5/8" x 8 1/2"
5/8" x 8 1/2"
5/8" x 8 1/2"
5/8" x 8 1/2"
5/8" x 8 1/2"
5/8" x 8 1/2"