

Vacuum Breaker 3/4" - PVC

Vacuum Breaker 3/4" - PVC



**All Plastic Bulkhead Fittings
for Easy Tank Installation**

Never a Problem with Corrosion: Because of its all plastic construction a Hayward Vacuum Breaker will never rust or corrode and it can survive corrosive environments and harsh weather conditions without the need for painting or expensive epoxy coating.

Features

- * Reliable Venting of Tanks and Piping Systems
- * Advanced Design for Fast Draining
- * Easy Installation
- * Compact
- * No Metal Parts to Stick or Jam
- * FPM Membrane
- * Can Mount to 1-1/2" Bulkhead Fitting
- * Two Year Warranty

Advanced Design for Fast Draining: These vacuum breakers allow a tank or piping system to be drained at the rate of up to 300 gpm. For even faster draining requirements, just install additional vacuum breakers. For instance, three installed on a tank would allow a drainage rate of 900 gpm with properly sized drains.

Reliable Venting of Tanks and Piping Systems: Hayward's all plastic, corrosion resistant Vacuum Breaker allows quick and trouble-free draining of tanks and piping systems. The vacuum breaker is normally closed at positive internal pressures. As the tank or piping system is being drained the Vacuum Breaker automatically open and allows air to enter the tank or system.

Vacuum Breaker 3/4" - PVC

Vacuum Breaker 3/4" - PVC

Technical Information

Specifications

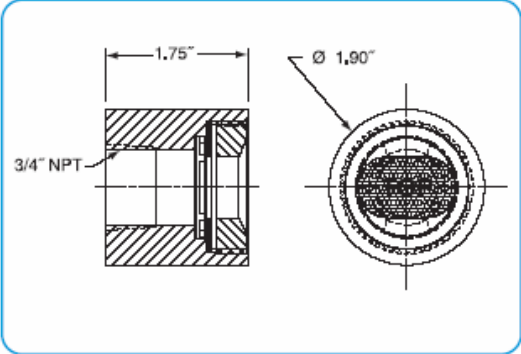
Body Material:	PVC
Membrane:	FPM
Piping Connection:	3/4" NPT
Tank Connection:	Uses Bulkhead Fitting
Maximum Pressure:	150 PSI @ 70°F
Operation:	Normally closed. Automatically opens when subjected to a vacuum and closes at positive pressures.
Maximum Drain Rate:	300 GPM

Easy to Install onto Tanks

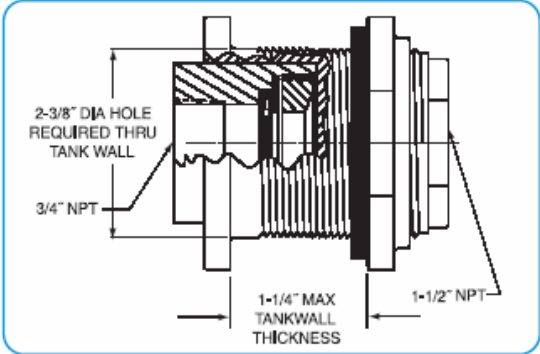
Just solvent-weld the vacuum breaker into the socket connection of a standard Hayward 1 1/2" bulkhead fitting. Then install the bulkhead fitting onto the tank. No extra piping is needed.



Dimensions



Vacuum Breaker Installed in Bulkhead



Temperature/Pressure Chart

